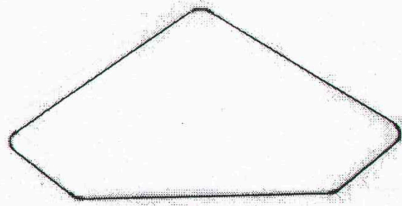




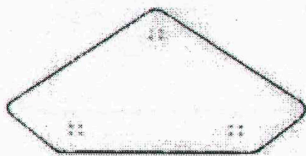
BeAir

Assemble Instructions TO-30/TB-30

PARTS:



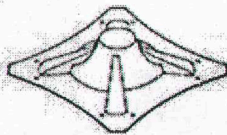
Ⓐ=1



Ⓑ=1



Ⓒ=3



Ⓓ=3



Ⓔ=3

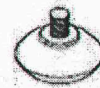


Ⓕ=3



5mm

①=1



M6

②=6



ST 5 *20

③=24



Ø8*2

④=24



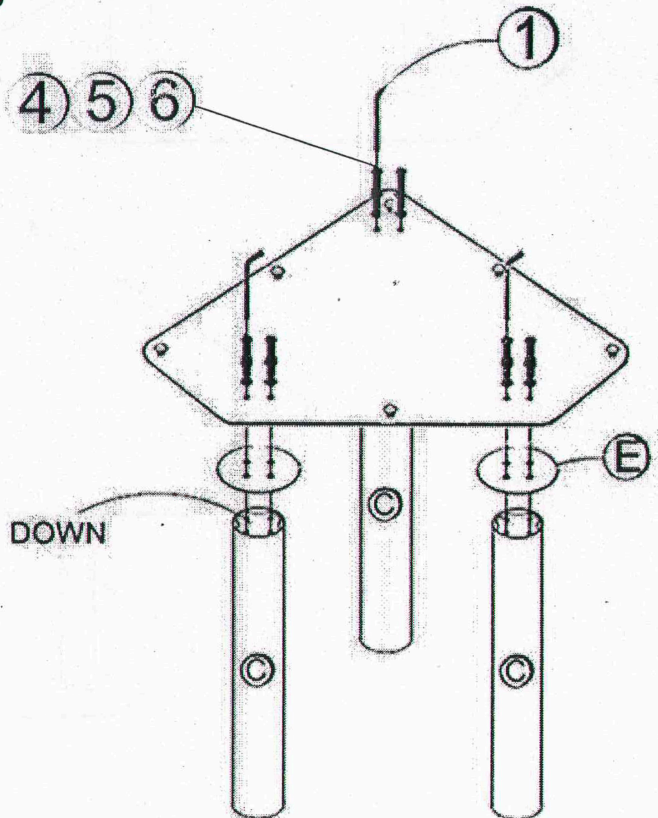
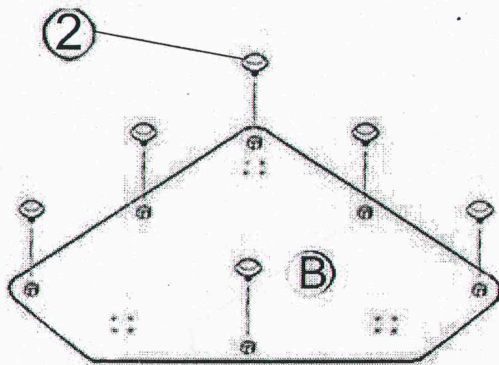
Ø8*1.5

⑤=24



M8*30

⑥=24





BelAir

Assemble Instructions TO-30 /TB-30

